

# Mounting Worksheet for Pedestal Installation

JULY 1, 2016

## CUSTOMER INFORMATION

Name \_\_\_\_\_ Phone Number \_\_\_\_\_ Email \_\_\_\_\_

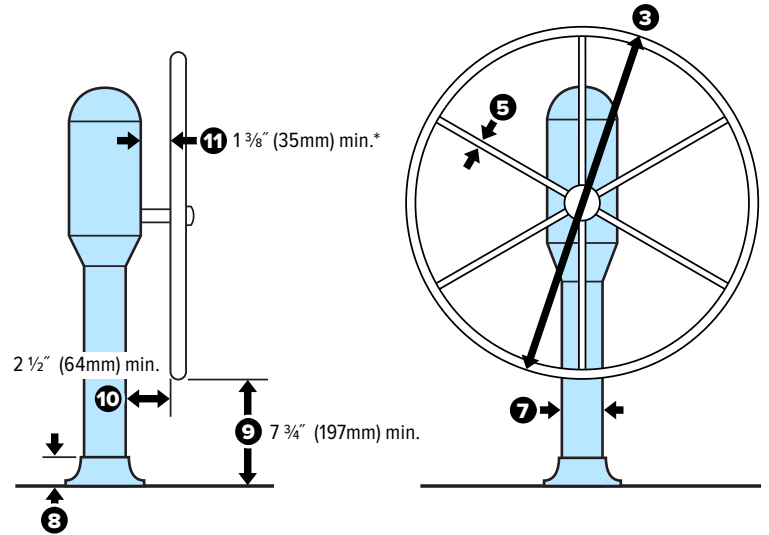
Vessel Name \_\_\_\_\_ Model \_\_\_\_\_ Length & Displacement \_\_\_\_\_

## WHEEL CONFIGURATION

- Type of steering system  CABLE  HYDRAULIC  GEARED
- Number of wheel turns, lock-to-lock \_\_\_\_\_
- Wheel Diameter \_\_\_\_\_
- Number of wheel spokes \_\_\_\_\_
- Spoke Diameter  $\frac{3}{8}$ "  $\frac{1}{2}$ "  $\frac{3}{4}$ " Other: \_\_\_\_\_
- Wheel Features:
  - Tapered Spokes (spoke diameter varies)
  - Dished wheel/angled spokes (spokes not parallel with pedestal)
  - Wood rim or large rim (over 1" diameter). Rim dia: \_\_\_\_\_
  - Wood wheel: (see wood wheel worksheet)

Wood wheel ring inner diameter \_\_\_\_\_

Wood wheel ring outer diameter \_\_\_\_\_



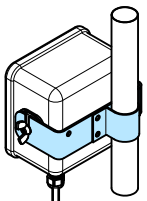
## CLEARANCES

- Pedestal diameter where bracket will mount \_\_\_\_\_
- Height of Pedestal Base above deck \_\_\_\_\_
- Distance from bottom of wheel to deck \_\_\_\_\_  
 $7 \frac{3}{4}$ " (197mm) minimum
- Distance between spokes and pedestal \_\_\_\_\_  
 $2 \frac{1}{2}$ " (64mm) minimum (where bracket will mount)
- Distance between spokes and nearest obstruction \_\_\_\_\_  
 $1 \frac{3}{8}$ " (35mm) minimum\* (Compass, engine levers, instrument pod, etc)
- Wood wheel measurements: (see wood wheel worksheet)
  - Distance between spoke flat and pedestal \_\_\_\_\_
  - Distance between wooden inner ring and pedestal \_\_\_\_\_
- Preferred motor box mounting option:
  - Standard  Reverse Vertical Outside  Reverse Vertical Inside

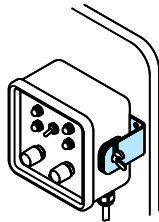
## CONTROL BOX MOUNTING

Check control box mounting location with a handheld compass for magnetic fields. The compass needle should not deflect near mounting location.

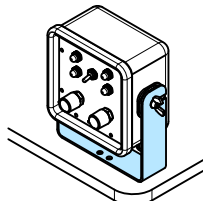
- Control box mounting method:
  - Guardrail Pipe — Diameter (thickness): 1"  $1 \frac{1}{8}$ "  $1 \frac{1}{4}$ "
  - Bulkhead Surface
  - Shelf/Console
  - Overhead/Pilothouse ceiling
  - Other: \_\_\_\_\_



Guardrail Pipe



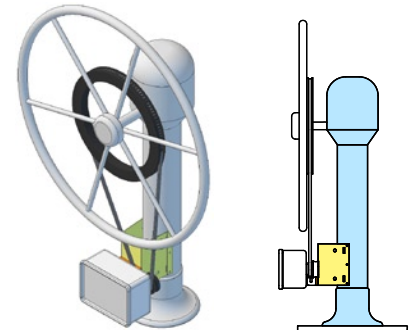
Bulkhead Surface



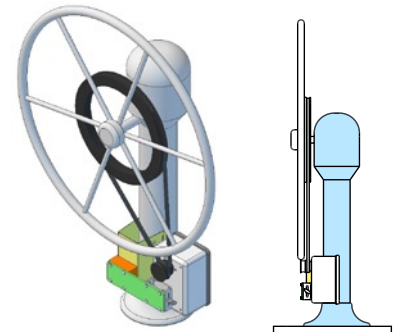
Shelf/Console

## PEDESTAL MOUNTING OPTIONS

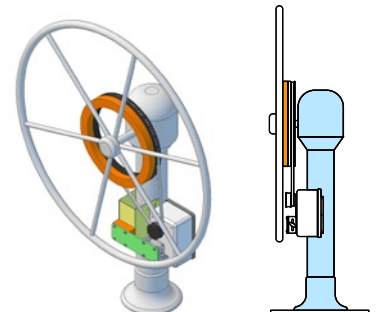
Standard Mount  
 Horizontal Motor Box  
 Drive pulley faces FORWARD



Reverse Mount  
 Vertical Motor Box  
 Drive pulley faces AFT  
 Drive Pulley outside wheel radius



Reverse Mount  
 Vertical Motor Box  
 Drive pulley faces AFT  
 Drive Pulley inside wheel radius



\*Minimum distance needed is  $2 \frac{3}{8}$ " when drive pulley is inside wheel radius **11**

# Mounting Worksheet for wooden wheels or wheels with wooden rim

MARCH 29, 2016

Wheel Diameter: \_\_\_\_\_

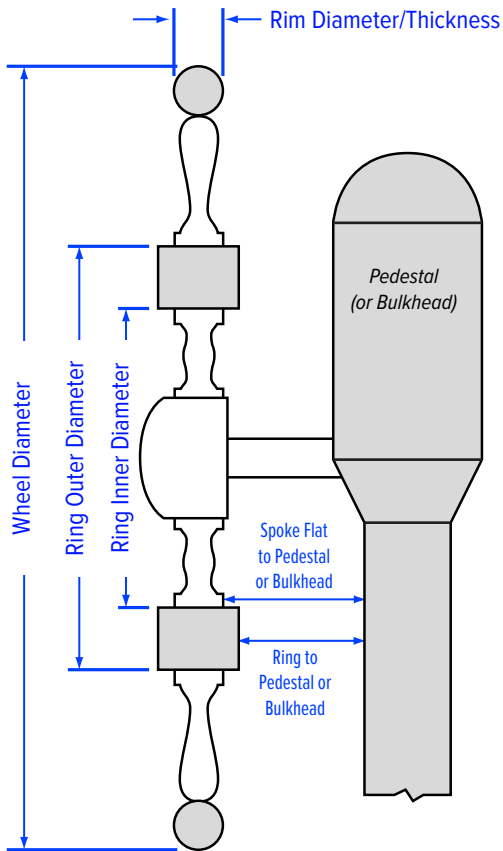
Rim Diameter/Thickness: \_\_\_\_\_

Ring Inner Diameter: \_\_\_\_\_

Ring Outer Diameter: \_\_\_\_\_

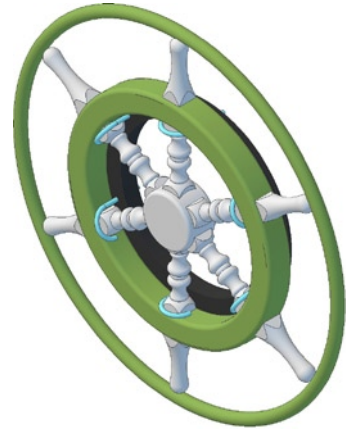
Spoke Flat to Pedestal or Bulkhead: \_\_\_\_\_

Ring to Pedestal or Bulkhead: \_\_\_\_\_

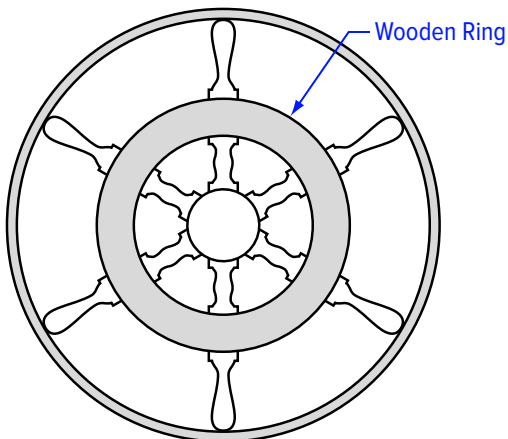
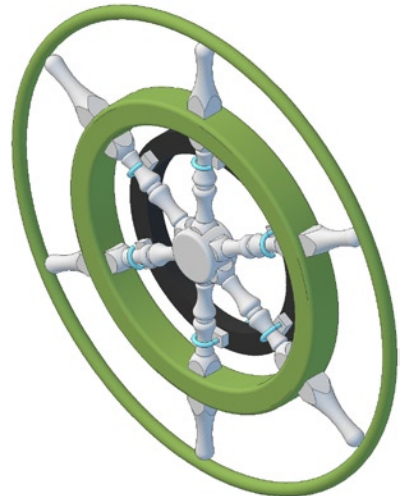


The wheel pulley attaches to the wheel spokes with J-bolts. If the wooden ring of the wheel is large enough, the wheel pulley will fit inside and rest directly on the spokes. Otherwise, the wheel pulley may rest on the ring itself and fasten directly to the ring with screws.

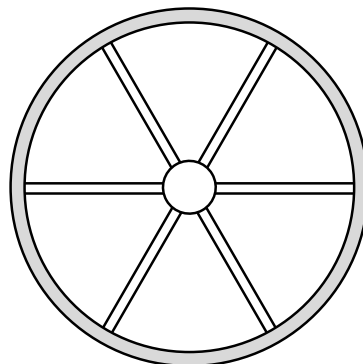
Wheel pulley rests on wooden ring



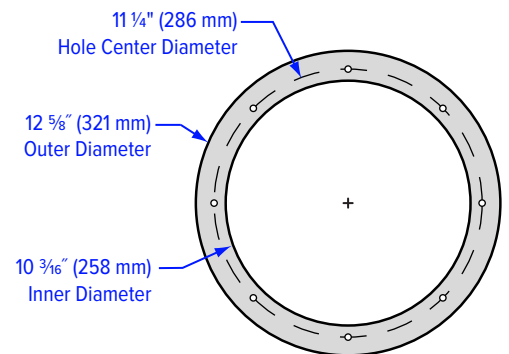
Wheel pulley fits inside wooden ring and rests on spokes. Spacers are needed to prevent the belt from chafing on the ring.



Wooden wheel



Stainless wheel with wooden rim



Wheel Pulley